

Electron Bingo Clue Answer Key

1	Configuration for Li	$1s^22s^1$
2	Configuration for K^+	$1s^22s^22p^63s^23p^6$
3	Valence configuration for Na	$3s^1$
4	Noble gas “core” in Mg	$1s^22s^22p^6$
5	Configuration for Be	$1s^22s^2$
6	Configuration for He	$1s^2$
7	Valence configuration for Sr	$5s^2$
8	Configuration for B	$1s^22s^22p^1$
9	Valence configuration for Li	$2s^1$
10	Valence configuration for N	$2s^22p^3$
11	Valence configuration for Be	$2s^2$
12	Configuration for O	$1s^22s^22p^4$
13	Valence configuration for Ne	$2s^22p^6$
14	Valence configuration for F	$2s^22p^5$
15	Valence configuration for Ar	$3s^23p^6$
16	Configuration for C	$1s^22s^22p^2$
17	Configuration for N	$1s^22s^22p^3$
18	Configuration for F	$1s^22s^22p^5$
19	Configuration for Na	$1s^22s^22p^63s^1$
20	Configuration for Mg	$1s^22s^22p^63s^2$
21	Configuration for Al	$1s^22s^22p^63s^23p^1$
22	Configuration for Si	$1s^22s^22p^63s^23p^2$
23	Configuration for P	$1s^22s^22p^63s^23p^3$
24	Configuration for S	$1s^22s^22p^63s^23p^4$
25	Configuration for Cl	$1s^22s^22p^63s^23p^5$
26	Valence configuration for C	$2s^22p^2$
27	Valence configuration for Cs	$6s^1$
28	Valence configuration for Mg	$3s^2$
29	Valence configuration for Al	$3s^23p^1$
30	Valence configuration for Si	$3s^23p^2$
31	Valence configuration for P	$3s^23p^3$
32	Valence configuration for S	$3s^23p^4$
33	Valence configuration for Cl	$3s^23p^5$
34	Valence configuration for K	$4s^1$
35	Valence configuration for Rb	$5s^1$
36	Valence configuration for Br	$4s^24p^5$
37	Configuration for H	$1s^1$
38	Valence configuration for Ga	$4s^24p^1$
39	Configuration for Sc	$1s^22s^22p^63s^23p^64s^23d^1$
40	Configuration for Ti	$1s^22s^22p^63s^23p^64s^23d^2$

Bingo Validation Tables

The top, left number of each table indicates the card number.

1	2	3	4	5
6	7	8	9	10
11	12	Free	14	15
16	17	18	19	20
21	22	23	24	25

2	17	21	25	26
7	3	18	22	24
11	8	Free	19	23
14	12	9	5	20
16	15	13	10	6

3	15	17	24	23
4	16	26	25	22
5	11	Free	27	21
6	8	9	14	20
7	12	10	18	19

4	8	12	11	5
14	20	21	22	15
18	23	Free	25	19
16	28	27	26	17
6	10	13	9	7

5	16	15	14	12
20	24	27	21	6
7	26	Free	25	11
10	22	28	23	8
9	17	18	19	13

6	11	15	19	7
18	22	27	23	12
14	26	Free	28	16
10	25	30	24	20
9	21	17	13	8

7	19	15	11	8
12	23	29	25	22
16	27	Free	28	18
20	26	31	24	14
10	13	17	21	9

8	17	19	21	13
23	27	25	28	14
9	30	Free	32	10
15	24	29	26	18
12	22	20	16	11

9	16	26	10	17
27	25	33	32	11
15	24	Free	12	31
28	29	22	30	18
13	20	21	19	14

10	30	16	29	11
22	18	31	20	12
23	32	Free	33	28
24	19	34	21	27
13	25	15	26	14

11	27	17	28	20
21	30	24	31	12
13	34	Free	35	19
22	33	25	32	23
18	29	15	26	14

12	28	25	26	18
19	29	24	27	13
14	30	Free	31	20
21	35	34	32	15
16	36	22	33	17

13	27	19	26	24
22	28	32	29	14
23	31	Free	30	15
16	33	34	35	24
17	37	21	36	18

14	29	26	31	20
21	33	25	35	15
16	36	Free	34	22
23	38	27	37	17
18	32	28	30	19

15	31	23	29	21
22	33	24	32	16
17	35	Free	34	18
19	37	26	36	30
28	39	27	38	20

16	31	22	32	28
25	33	29	34	17
18	36	Free	35	27
26	39	30	38	19
20	40	24	37	21

17	33	31	32	26
18	37	30	38	29
19	34	Free	35	21
24	39	25	36	28
23	40	22	1	27

18	36	35	34	29
19	25	21	26	22
20	27	Free	28	24
30	39	38	37	31
32	2	40	1	33

19	28	27	31	22
20	29	25	32	23
21	30	Free	33	24
34	40	35	1	38
39	2	36	3	37

20	28	27	26	24
21	37	29	38	23
22	1	Free	2	25
31	40	36	39	33
35	4	32	3	34

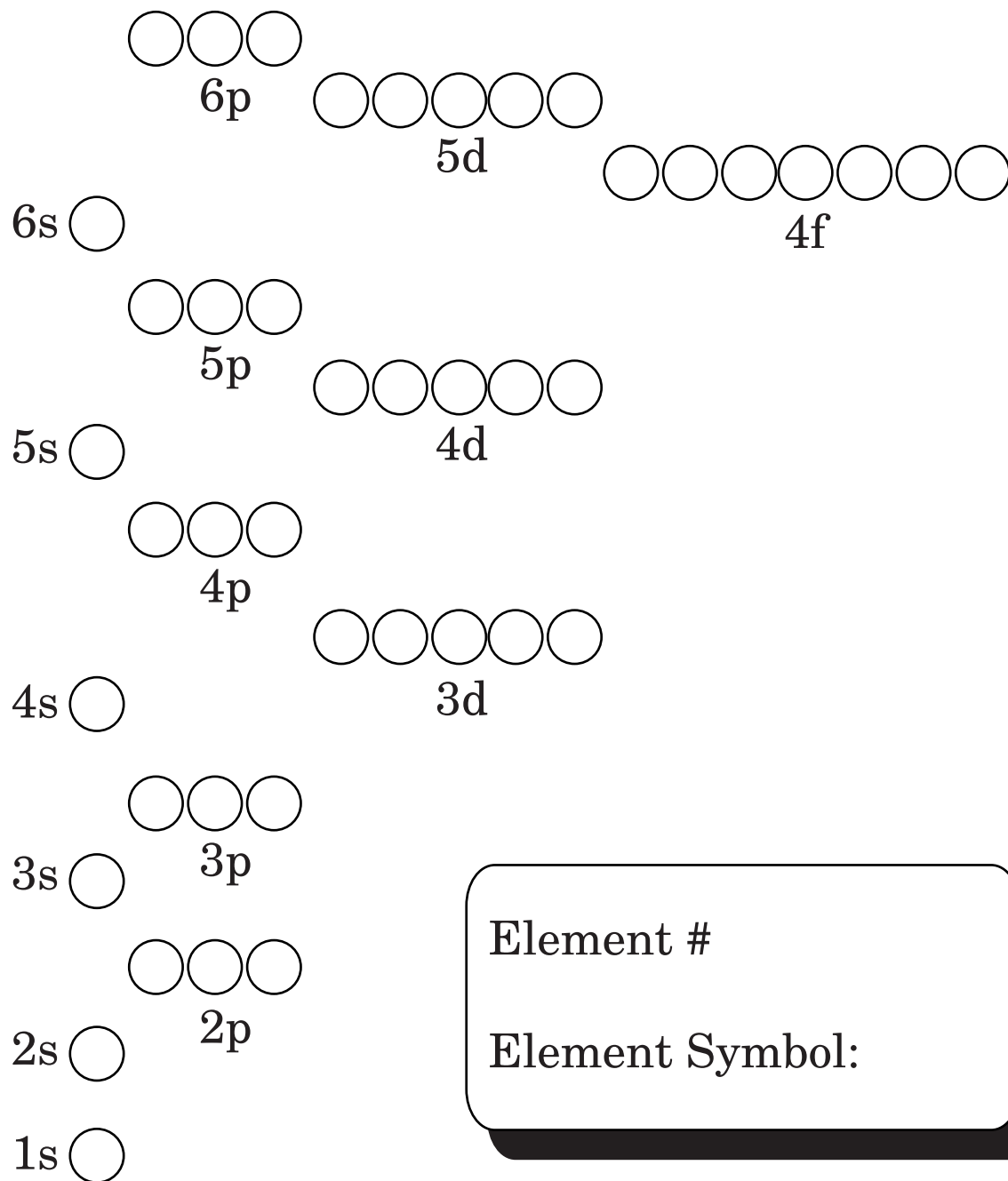
21	37	28	27	26
22	39	33	38	23
29	1	Free	40	30
32	3	35	12	31
24	4	36	5	25

22	1	35	2	26
37	30	31	27	36
39	32	Free	33	38
40	28	34	29	3
25	6	5	4	24

23	38	29	5	26
33	40	30	1	32
34	2	Free	3	35
36	39	31	4	37
27	25	28	7	6

24	39	32	1	28
33	2	29	8	37
38	7	Free	3	34
35	6	30	5	36
27	4	31	40	26

Electron Order of Filling Diagram Master



Element #

Element Symbol:

Electron Configuration:

The Periodic Table of the Elements

1	1 H 1.008											2 He 4.003						
	IA	IIA	IIIB	IVB	VB	VIB	VIIIB	IIIB	IIIB	IIIA	IVA	VIA	VIIA					
	1	2	3	4	5	6	7	8	9	10	11	12	13	14	15	16	17	18
2	3 Li 6.941	4 Be 9.012											5 B 10.81	6 C 12.01	7 N 14.01	8 O 16.00	9 F 19.00	10 Ne 20.18
3	11 Na 22.99	12 Mg 24.31											13 Al 26.98	14 Si 28.09	15 P 30.97	16 S 32.07	17 Cl 35.45	18 Ar 39.95
4	19 K 39.10	20 Ca 40.08	21 Sc 44.96	22 Ti 47.87	23 V 50.94	24 Cr 52.00	25 Mn 54.94	26 Fe 55.85	27 Co 58.93	28 Ni 58.69	29 Cu 63.55	30 Zn 65.38	31 Ga 69.72	32 Ge 72.64	33 As 74.92	34 Se 78.96	35 Br 79.90	36 Kr 83.80
5	37 Rb 85.47	38 Sr 87.62	39 Y 88.91	40 Zr 91.22	41 Nb 92.91	42 Mo 95.96	43 Tc (98)	44 Ru 101.1	45 Rh 102.9	46 Pd 106.4	47 Ag 107.9	48 Cd 112.4	49 In 114.8	50 Sn 118.7	51 Sb 121.8	52 Te 127.6	53 I 126.9	54 Xe 131.3
6	55 Cs 132.9	56 Ba 137.3	57-71 La-Lu ★	72 Hf 178.5	73 Ta 180.9	74 W 183.8	75 Re 186.2	76 Os 190.2	77 Ir 192.2	78 Pt 195.1	79 Au 197.0	80 Hg 200.6	81 Tl 204.4	82 Pb 207.2	83 Bi 209.0	84 Po (209)	85 At (210)	86 Rn (222)
7	87 Fr (223)	88 Ra (226)	89-103 Ac-Lr #	104 Rf (267)	105 Db (268)	106 Sg (271)	107 Bh (272)	108 Hs (270)	109 Mt (276)	110 Ds (281)	111 Rg (280)	112 Cn (285)	113 Uut (284)	114 Ff (289)	115 Uup (288)	116 Lv (293)	117 Uus (294)	118 Uuo (294)
	57 La 138.9	58 Ce 140.1	59 Pr 140.9	60 Nd 144.2	61 Pm (145)	62 Sm 150.4	63 Eu 152.0	64 Gd 157.3	65 Tb 158.9	66 Dy 162.5	67 Ho 164.9	68 Er 167.3	69 Tm 168.9	70 Yb 173.0	71 Lu 175.0			
	89 Ac (227)	90 Th 232.0	91 Pa 231.0	92 U 238.0	93 Np (237)	94 Pu (244)	95 Am (243)	96 Cm (247)	97 Bk (247)	98 Cf (251)	99 Es (252)	100 Fm (257)	101 Md (258)	102 No (259)	103 Lr (262)			

FLINN
SCIENTIFIC, INC.
"Your Safer Source for Science Supplies"
P.O. Box 219 • Batavia, IL 60510
(800) 452-1261 • Fax (866) 452-1436