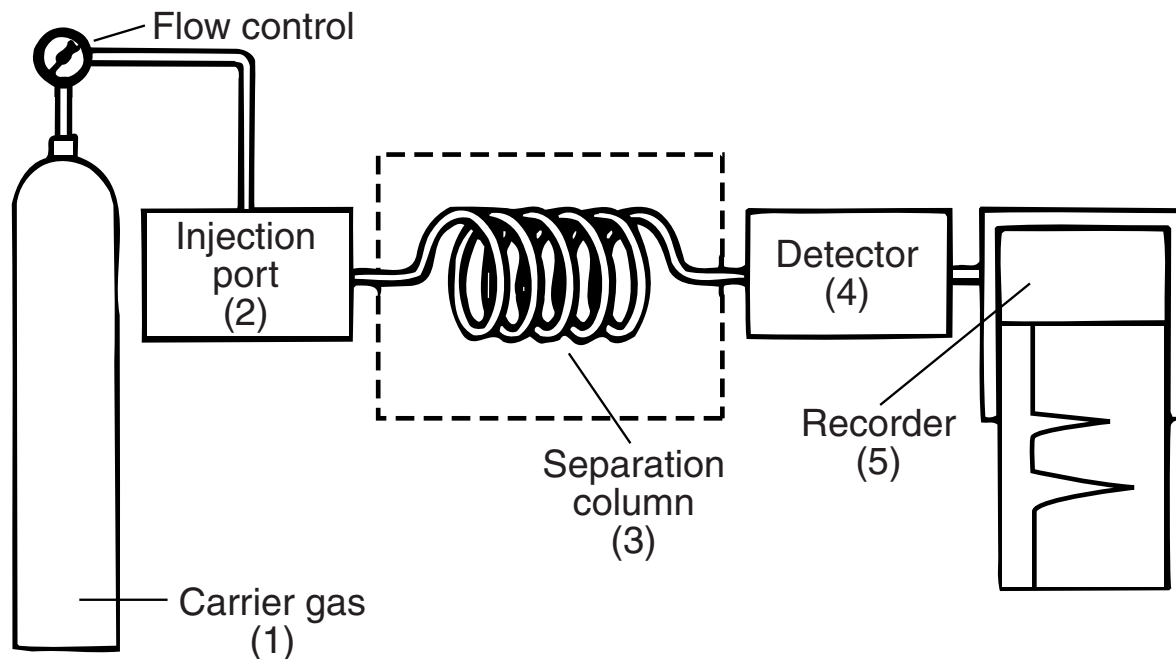
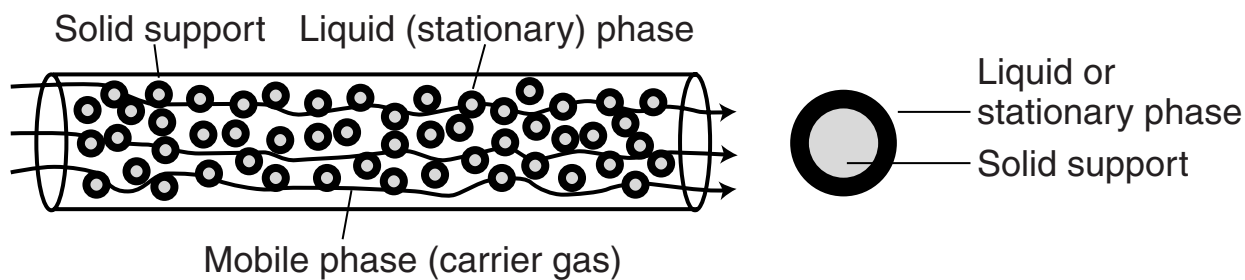


# Basic Gas Chromatograph and Separation Column



**Figure 1.** Schematic of a Basic Gas Chromatograph Setup



**Figure 2.**

# Separation Process

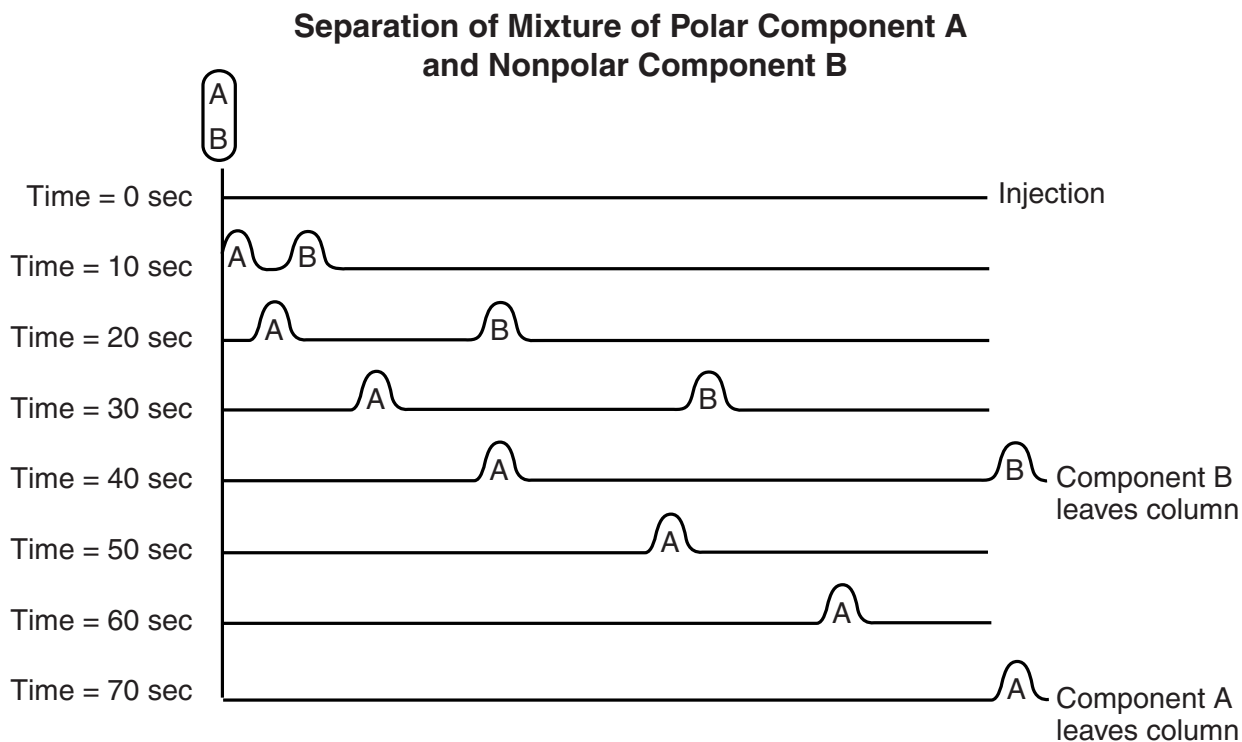


Figure 3.

# Demonstration Gas Chromatograph

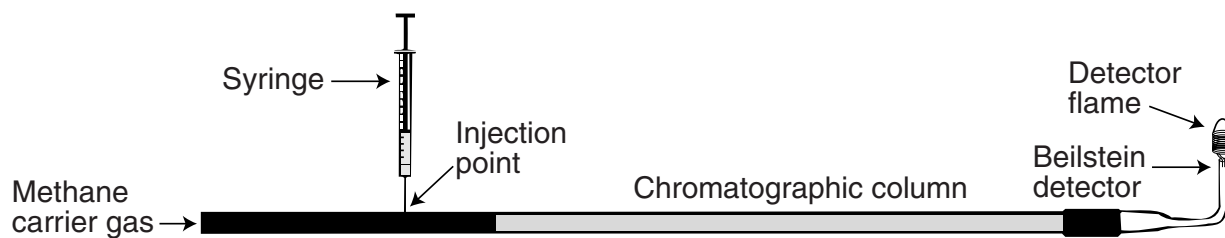


Figure 4.